



GENERAL CABINETSRY
kitchen and bath solutions

FRAMELESS CABINETS
CATALOG 2024





WARRANTY

Limited 18 Month Warranty

General Cabinetry Inc. warrants to the original consumer purchases that General Cabinetry cabinets, door hinges, and drawer glides will be free from defects in material and workmanship under normal use and service for eighteen months (Proof of Purchase is required). This warranty is not transferable and only applicable to product used for residential purposes. Representatives of General Cabinetry do not have the authority to change or enlarge this warranty.

This warranty does not cover normal wear and tear, damage or defects caused by accidents, misuse, abuse, lack of necessary maintenance or acts of God; nor does it cover alteration, modification, improper installation, improper handling / storage, environmental conditions, nor any labor expenses.

General Cabinetry Inc., at our option, may elect to repair or replace with a functionally equivalent product any General Cabinetry product covered by this warranty. Some replacement parts are subject to availability and may differ from original parts received. Return of defective product may be required for a replacement to be issued. Repair parts or replacement parts are at the expense of General Cabinetry Inc., but customer shall bear all other expenses. These expenses may include, but are not limited to, cost of removal and re-installation of product, labor expenses, etc.

Environmental factors, including but not limited to artificial/natural light, humidity, cleaning products, smoke, etc., may cause a cabinet to darken or soften over time. This is a natural process and can be expected. This warranty does not cover natural aging or darkening/softening of the laminate of this product, inherent growth characteristics, or color variation.

Some of the cabinet lines feature a glazed finish that accentuates the door profiles and drawer front. The nature of wood is to expand and contract to varying degrees depending on weather conditions. This is normal and is not considered a defect.

This warranty is valid only in the United States of America and is not transferable. All implied warranties are limited in duration to the shorter of the period provided by law or the period of this warranty. To the extent permitted by law, this warranty excludes special, incidental, or consequential damages. Some states do not allow the exclusion or limitations of incidental or consequential damages or limitations on how long an implied lasts, so the above limitations or exclusions may not apply to you. This warranty gives you specific legal rights; you may have other rights which vary from state to state. To exercise this warranty, please contact the General Cabinetry supplier from whom you purchased the product. Report, in writing, to juan@gencabinetry.com all defects claimed and include proof of purchase documentation.



GENERAL CABINETRY

kitchen and bath solutions

ACCOUNT APPLICATION

A. Contact Information:

To ensure prompt handling of your application, please provide all information requested below.

Business / Individual Name: _____

Mailing Address: _____

Delivery Address: _____

City: _____

State: _____

Zip Code: _____

Email: _____

Phone #: _____

Fax #: _____

B. Account Information:

Tax Status: Taxable _____ Exempt _____

Business Type: _____

Sales Tax #: _____

Federal Tax Id (EIN) / Social Security Number: _____

C. Other:

Purchase Order Required: Yes _____ No _____

Purchaser: _____

Accounts Payable Contact: _____

Phone #: _____

Email: _____

In making this application and for consideration of any credit extended as a result of this application, the applicant and the undersigned, individually and collectively guaranty payment of all amounts which become due to General Cabinetry Inc. and promise to pay all costs of collection, including reasonable attorney fees incurred by General Cabinetry Inc. in collecting any money owed on any credit account maintained by any of the people or entities named in this application. If any account is established as a result of this application and is not paid when due the account shall bear interest at 1 1/2% per month, 18% per annum. All payments for goods and merchandise purchased from General Cabinetry Inc. shall remain the property of General Cabinetry Inc. until paid in full. The terms are understood and will be complied with. The information herein is to be considered accurate to the best of my knowledge.

Name: (Signature): _____

Name (Printed): _____

Title: _____

Date: _____

TABLE OF CONTENT:

CABINET SELECTIONS	01 - 06
WALL CABINETS	
MWO UPPER CABINET.....	07
REF UPPER CABINET.....	08
SINGLE DOOR WALL CABINET.....	09
DOUBLE DOOR WALL CABINET.....	10
WALL DIAGONAL CABINET, VANITY KNEE DRAWER.....	11
BASE CABINETS	
SINGLE DOOR BASE CABINET, DOUBLE DOOR BASE CABINET.....	12
DRAWER BASE CABINET, SINK BASE CABINET.....	13
FARMSINK CABINET, TRASH BIN CABINET, BASE MICROWAVE CABINET.....	14
VANITY CABINETS	
VANITY SINK CABINET, VANITY DRAWER CABINET.....	15
SINGLE DOOR VANITY CABINET, DOUBLE DOOR VANITY CABINET.....	16
PANTRY CABINETS	
18" WIDE UTILITY CABINET, 24" WIDE UTILITY CABINET.....	17
OVEN PANTRY CABINET.....	18
ACCESORIES	
WALL OPEN SHELF, FINISHED SKIN.....	19
FINISHED PANEL, FILLERS.....	20
MOULDINGS.....	21
NOTES	22

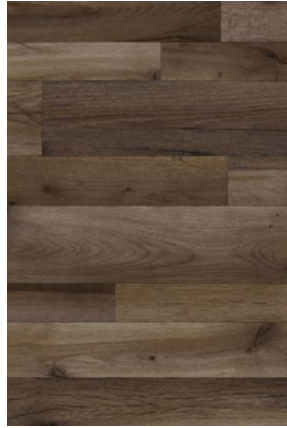
CABINET SELECTIONS:
BASIC LINE



ÉBANO INDI



DURANGO



DAKOTA



CHARDONNAY



CEREZO



NOGAL NEO



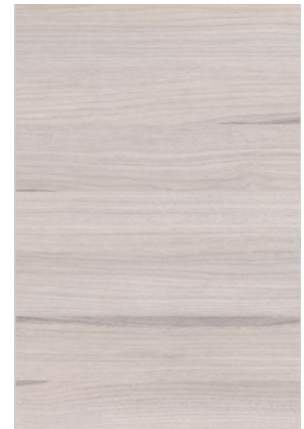
CAOBA



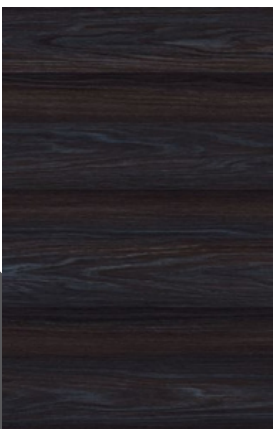
CAIRO



OYAMEL



NOGAL URBANO



ANÁHUAC



ENCINO POLAR



ARCE MAPLE



LARICINA SIBERIA



NOGAL BRITÁNICO

CABINET SELECTIONS:
BASIC LINE



NEBRASKA



METROPOLITAN



WENGUÉ



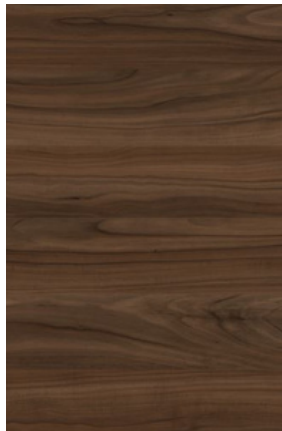
ROBLE TABACO



ROBLE SANTANA



ROBLE MERIDA



RIOJA



LATTE



MONARCA



FRESNO BRUMA



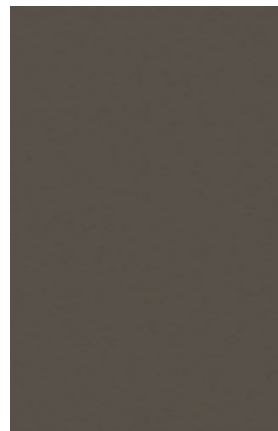
**PRECOMPUESTO
CENIZA**



CEREZO PREMIUM



ENIGMA

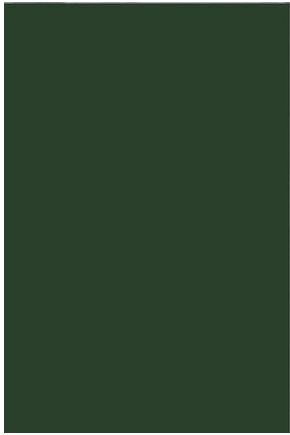


NIQUEL

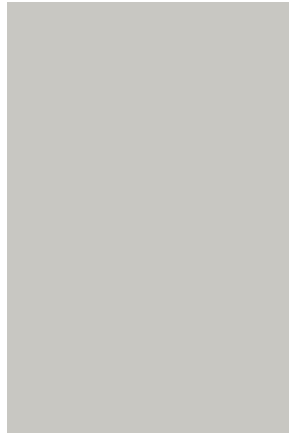


GRIS CLARO

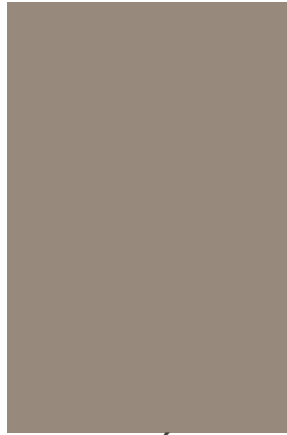
CABINET SELECTIONS:
BASIC LINE



JADE



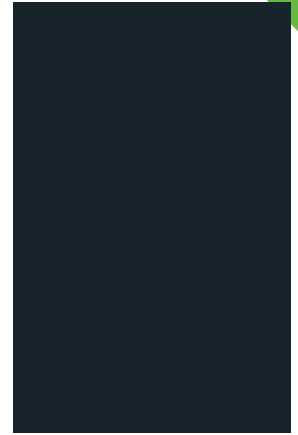
GRIS



VISÓN



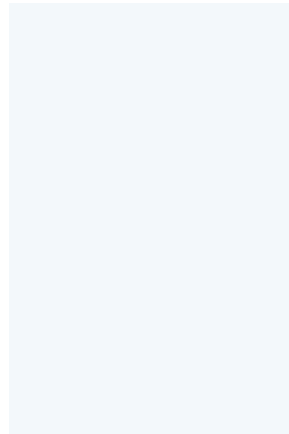
NEGRO



ZAFIRO



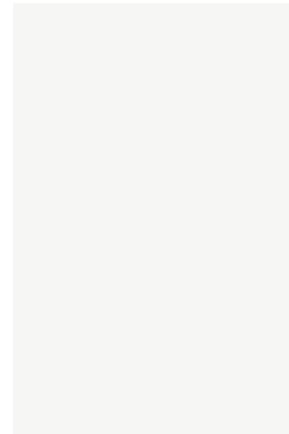
ROJO COLONIAL



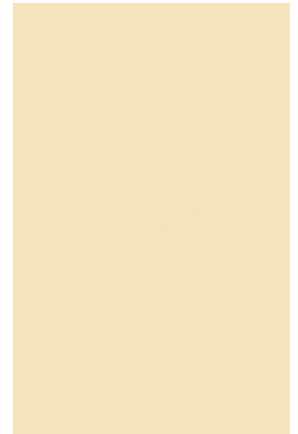
BLANCO FROSTY



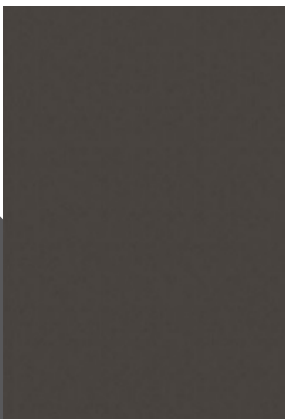
AZUL ACERO



BLANCO
ABSOLUTO



ARENA

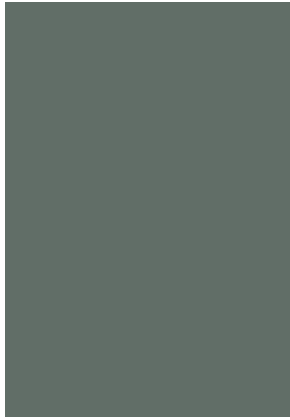


OXFORD

CABINET SELECTIONS: NEW COLLECTION



TULUM



ROMERO



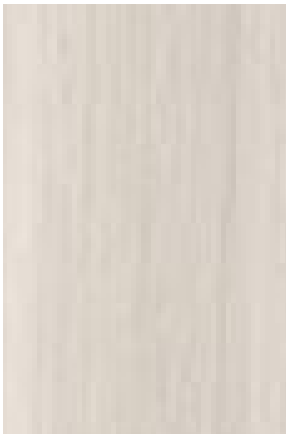
FILIGRANA



COPAL



ÁMBAR

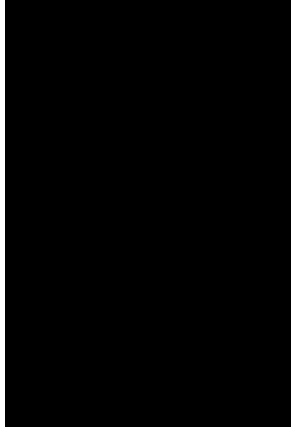


SISAL

CABINET SELECTIONS:
PREMIUM LINE



GRIS HUMO



NEGRO



NOGAL TERRACOTA



NOCCE MILANO



NATIVA



MOSCATO



LINOSA CENIZA



**ASERRADO
NORDICO**



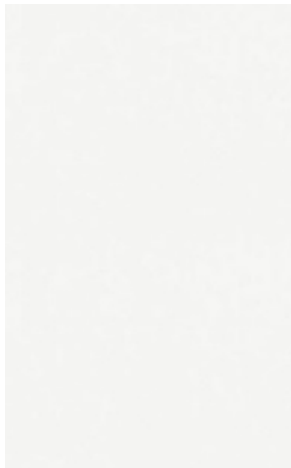
**CENDRA
ESCANDINAVO**



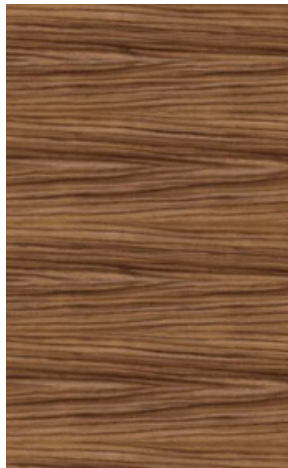
ESPRESSO



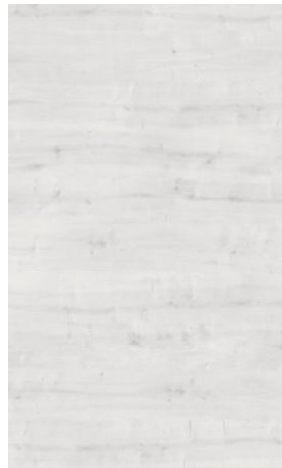
LOMBARDÍA



BLANCO



RIVIERA



ALASKA



ALMENDRA

**CABINET SELECTIONS:
PREMIUM LINE**



ROBLE DAKAR



SEDA GIORNO



TOSCANA



**ROBLE
PROBENZAL**

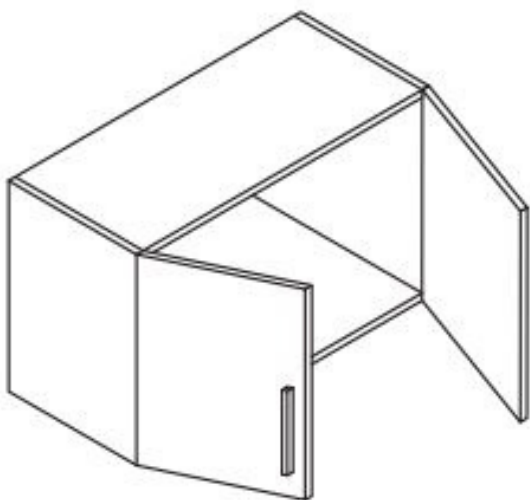


**ROBLE
AMERICANO**



TEKA ARTICO

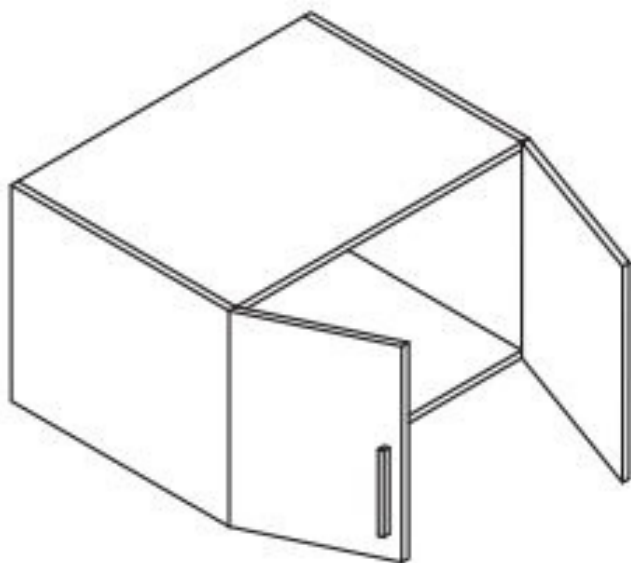
MWO UPPER CABINET



SKU	W	H	D
W3021	30	12	12
W3012-21	30	12	21
W3015-21	30	15	21
W3018-21	30	18	21
W3021-21	30	21	21
W2430-15	24	30	15
W3030-15	30	30	15
W3630-15	36	30	15

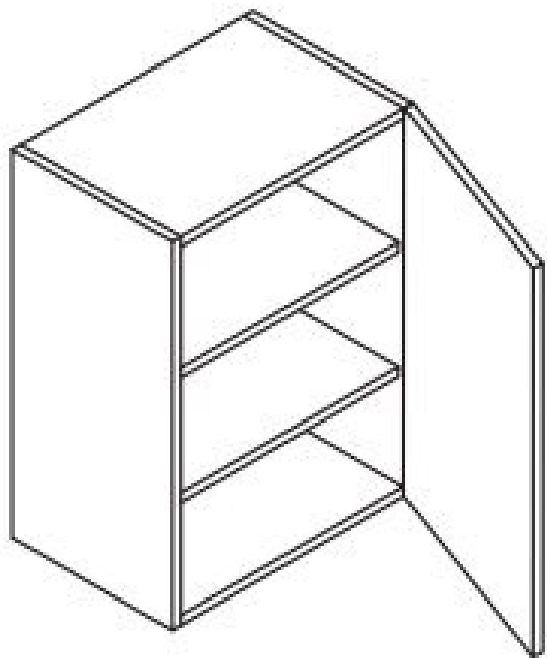
SKU	W	H	D
W3012	30	12	12
W3312	33	12	12
W3612	36	12	12
W3912	39	12	12
W3015	30	15	12
W3315	33	15	12
W3615	36	15	12
W3915	39	15	12
W3018	30	18	12
W3318	33	18	12
W3618	36	18	12
W3918	39	18	12

REF UPPER CABINET



SKU	W	H	D
W3312-24	33	12	24
W3612-24	36	12	24
W3315-24	33	15	24
W3615-24	36	15	24
W3318-24	33	18	24
W3618-24	36	18	24
W3321-24	33	21	24
W3621-24	36	21	24
W3324-24	33	24	24
W3624-24	36	24	24

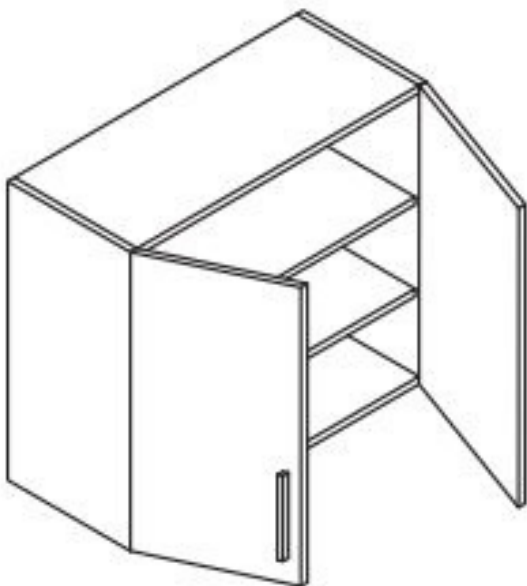
SINGLE DOOR UPPER CABINET



SKU	W	H	D
W0942	9	42	12
W1242	12	42	12
W1542	15	42	12
W1842	18	42	12
W2142	21	42	12

SKU	W	H	D
W0930	9	30	12
W1230	12	30	12
W1530	15	30	12
W1830	18	30	12
W2130	21	30	12
W0936	9	36	12
W1236	12	36	12
W1536	15	36	12
W1836	18	36	12
W2136	21	36	12

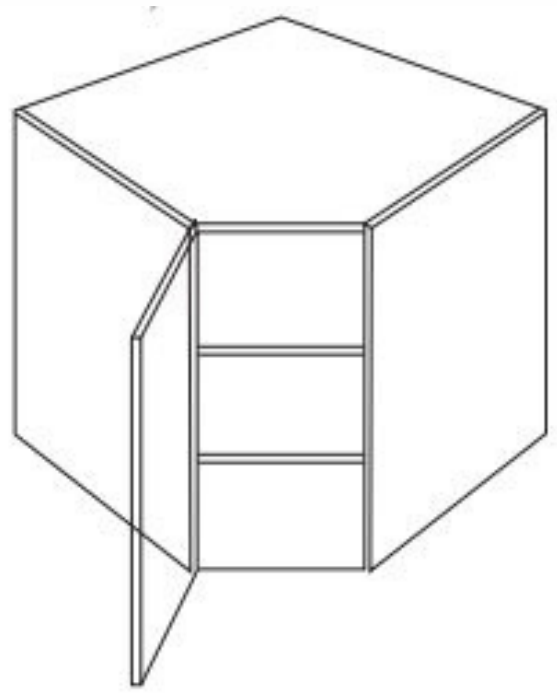
DOUBLE DOOR UPPER CABINET



SKU	W	H	D
W2442	24	42	12
W2742	27	42	12
W3042	30	42	12
W3342	33	42	12
W3642	36	42	12
W3942	39	42	12
W4242	42	42	12

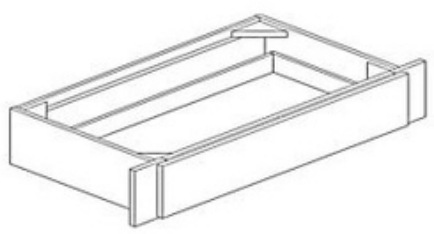
SKU	W	H	D
W2430	24	30	12
W2730	27	30	12
W3030	30	30	12
W3330	33	30	12
W3630	36	30	12
W3930	39	30	12
W4230	42	30	12
W2436	24	36	12
W2736	27	36	12
W3036	30	36	12
W3336	33	36	12
W3636	36	36	12
W3936	39	36	12
W4236	42	36	12

WALL DIAGONAL CABINET



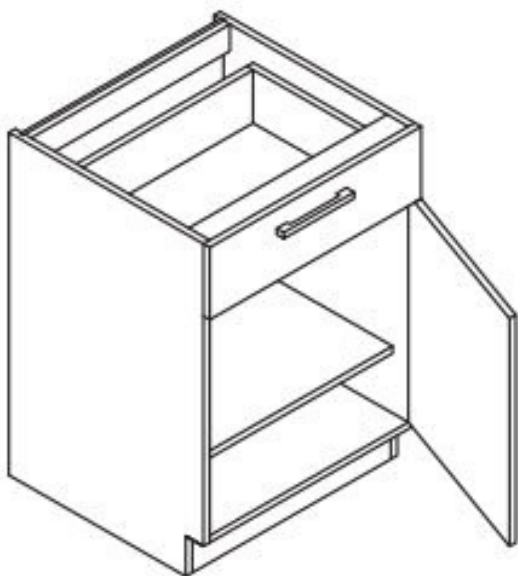
SKU	W	H	D
WDC2430	24	30	24
WDC2436	24	36	24
WDC2442	24	42	24

VANITY KNEE DRAWER



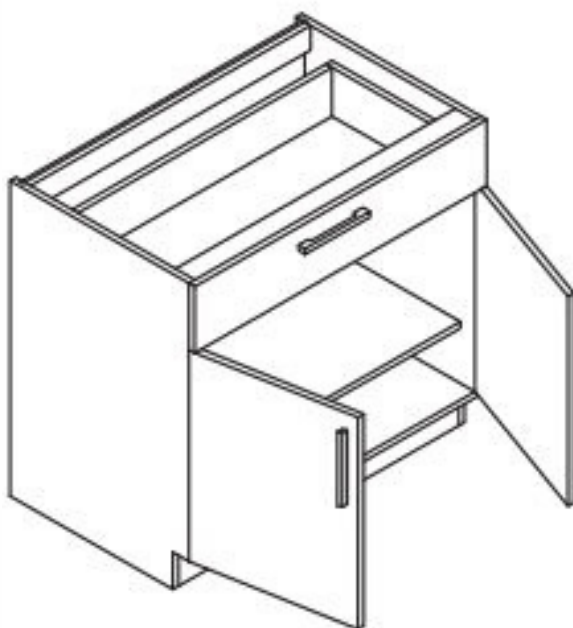
SKU	W	H	D
VKD36	36	9	21

SINGLE DOOR BASE CABINET



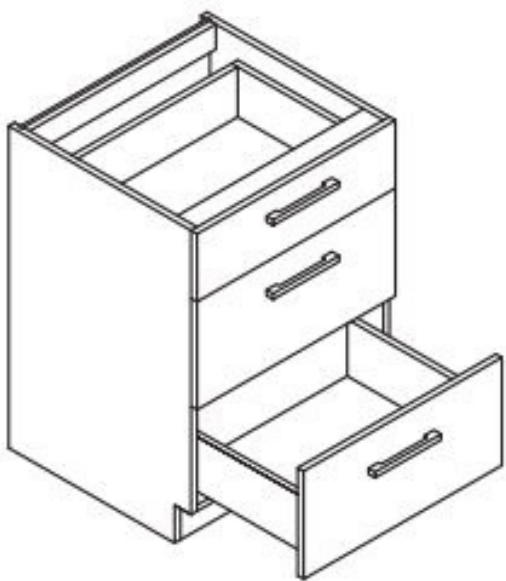
SKU	W	H	D
B09-FH	9	34.5	24
B12	12	34.5	24
B15	15	34.5	24
B18	18	34.5	24
B21	21	34.5	24

DOUBLE DOOR BASE CABINET



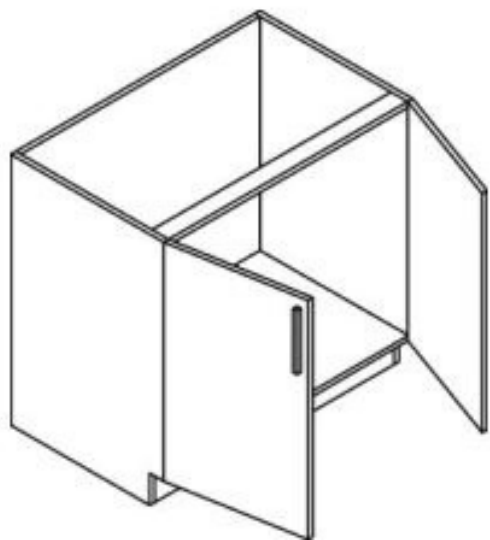
SKU	W	H	D
B24	24	34.5	24
B27	27	34.5	24
B30	30	34.5	24
B33	33	34.5	24
B36	36	34.5	24
B39	39	34.5	24
B42	42	34.5	24

DRAWER BASE CABINET



SKU	W	H	D
3DB12	12	34.5	24
3DB15	15	34.5	24
3DB18	18	34.5	24
3DB21	21	34.5	24
3DB24	24	34.5	24
3DB27	27	34.5	24
3DB30	30	34.5	24
3DB33	33	34.5	24
3DB36	36	34.5	24

SINK BASE CABINET



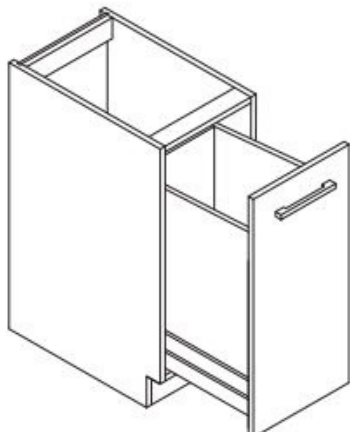
SKU	W	H	D
SB33	33	34.5	24
SB36	36	34.5	24

FARM SINK CABINET



SKU	W	H	D
FSB36	36	34.5	24

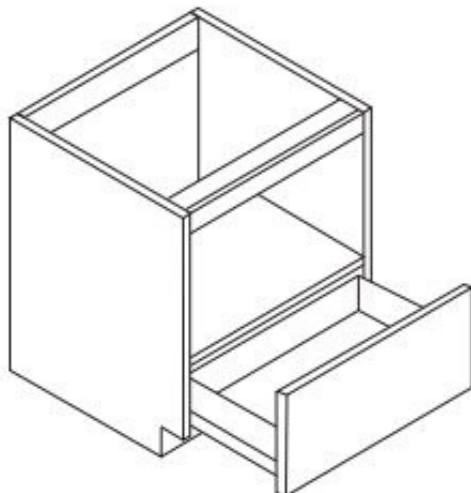
TRASH BIN BASE CABINET



NOTE: TRASH CAN IS NOT INCLUDED*

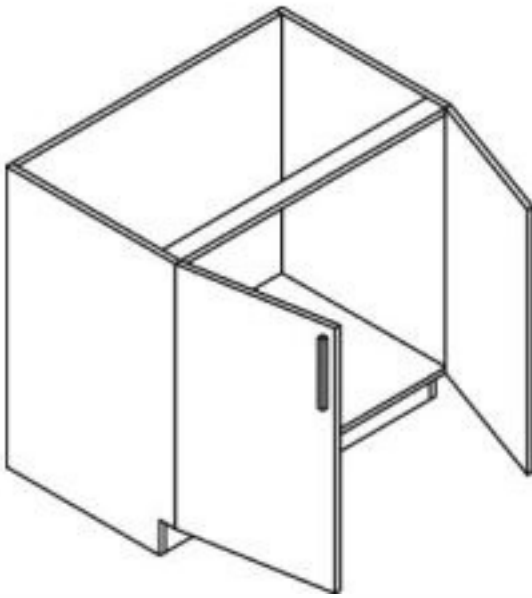
SKU	W	H	D
TB15-FH	15	34.5	24
TB18-FH	18	34.5	24
TB21-FH	21	34.5	24

BASE MICROWAVE CABINET



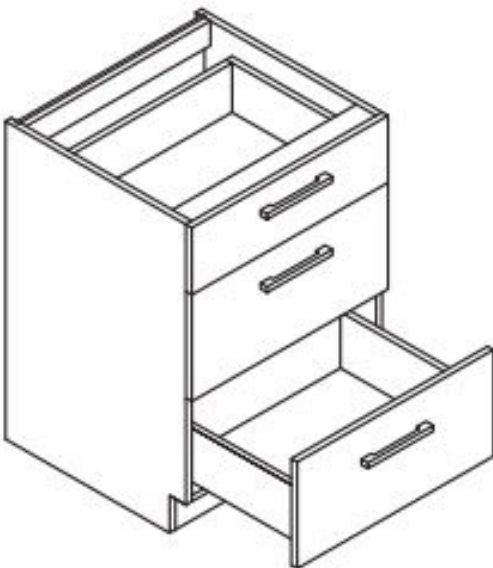
SKU	W	H	D
BMC30	30	34.5	24

VANITY SINK CABINET



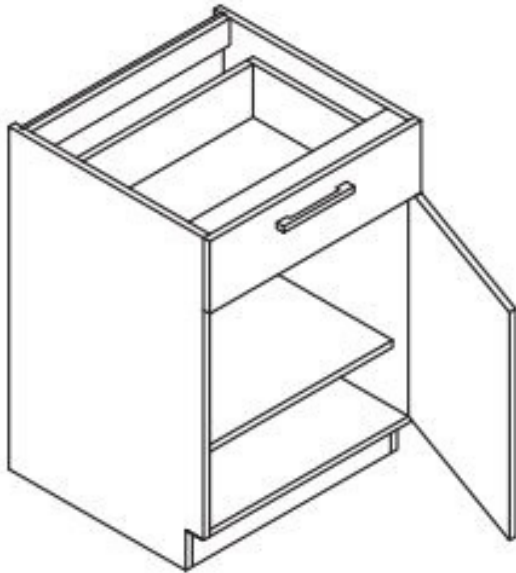
SKU	W	H	D
VSB24	24	34.5	21
VSB27	27	34.5	21
VSB30	30	34.5	21
VSB33	33	34.5	21
VSB36	36	34.5	21

VANITY DRAWER CABINET



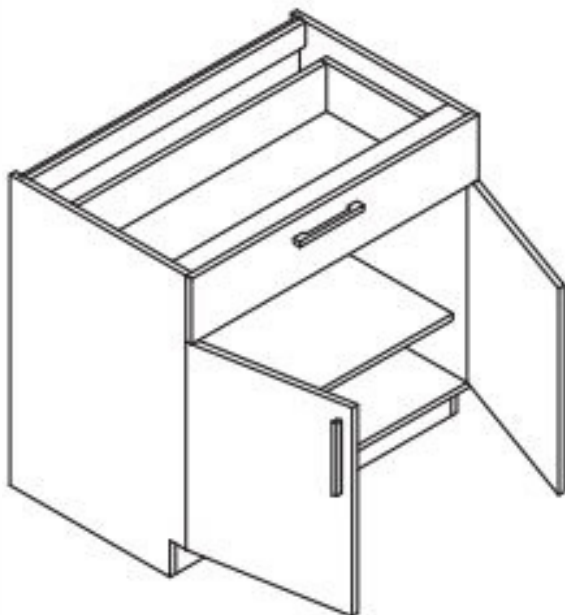
SKU	W	H	D
VDB12	12	34.5	21
VDB15	15	34.5	21
VDB18	18	34.5	21
VDB21	21	34.5	21

SINGLE DOOR VANITY CABINET



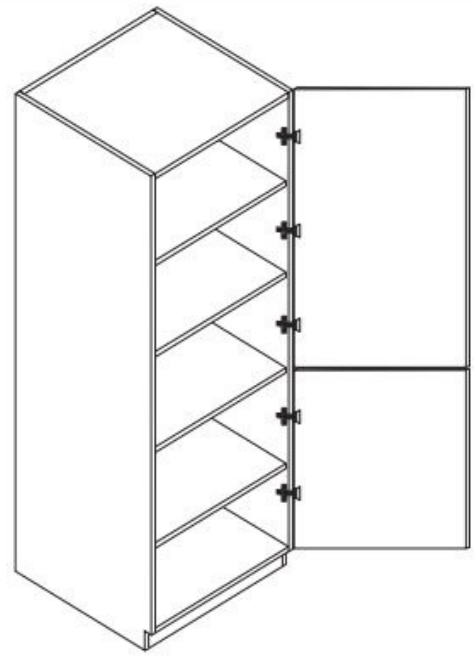
SKU	W	H	D
VB12	12	34.5	21
VB15	15	34.5	21
VB18	18	34.5	21
VB21	21	34.5	21

DOUBLE DOOR VANITY CABINET



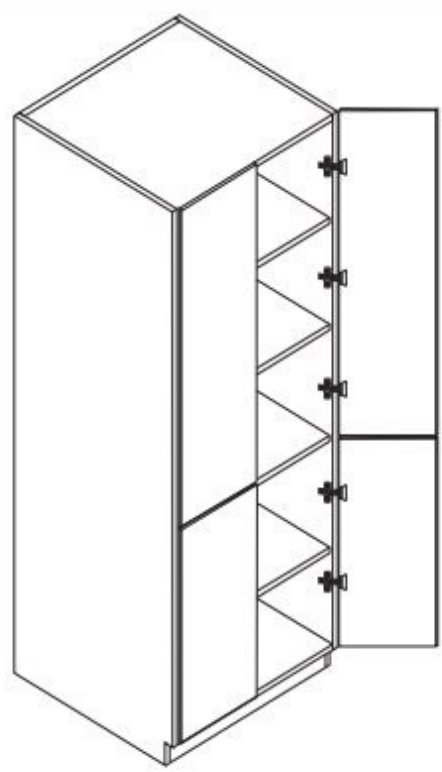
SKU	W	H	D
VB24	24	34.5	21
VB27	27	34.5	21
VB30	30	34.5	21
VB33	33	34.5	21
VB36	36	34.5	21

18" WIDE UTILITY CABINET



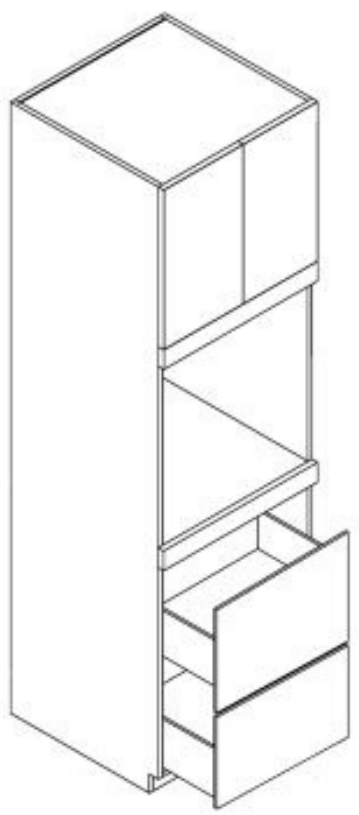
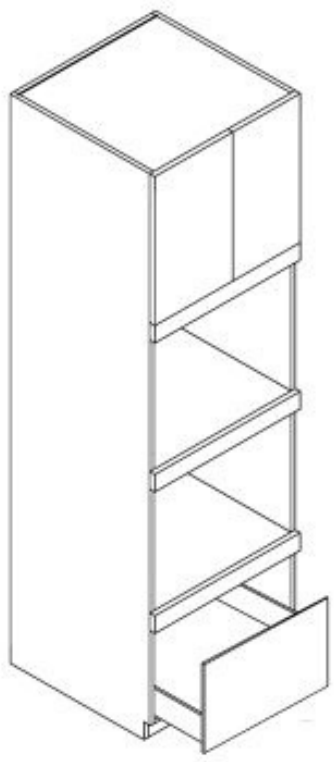
SKU	W	H	D
UC1884	18	84	24
UC1890	18	90	24
UC1896	18	96	24

24" WIDE UTILITY CABINET



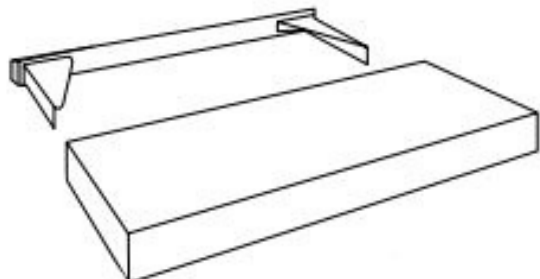
SKU	W	H	D
UC2484	24	84	24
UC2490	24	90	24
UC2496	24	96	24

OVEN PANTRY CABINET



SKU	W	H	D
OVM3384	33	84	24
OVM3390	33	90	24
OVM3396	33	96	24
OVD3384	33	84	24
OVD3390	33	90	24
OVD3396	33	96	24

WALL OPEN SHELF



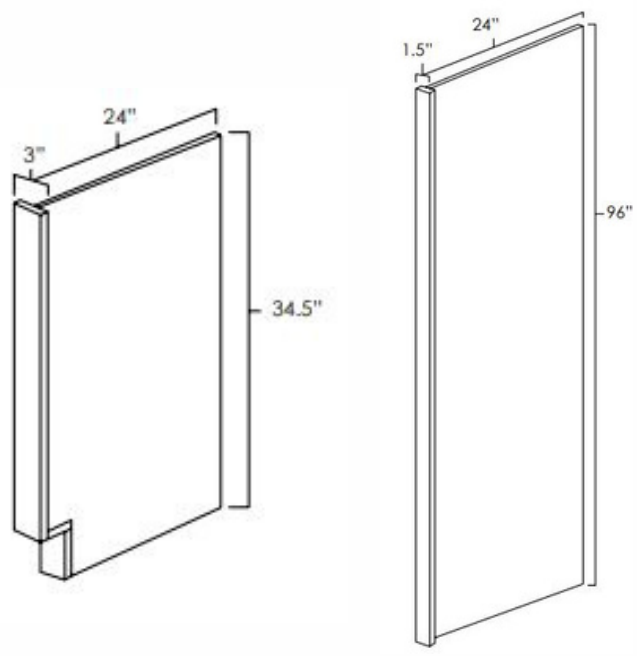
SKU	W	H	D
WOS24	24	2.5	12
WOS30	30	2.5	12
WOS36	36	2.5	12

FINISHED SKIN



SKU	W	H	D
BSK	24	34.5	3/4
VSK	21	34.5	3/4
WSK	12	42	3/4
TSK	24	96	3/4
BSK9636	96	36	3/4

FINISHED PANEL



SKU	W	H	D
DWP	24	34.5	24
RP2496	24	96	24

FILLERS



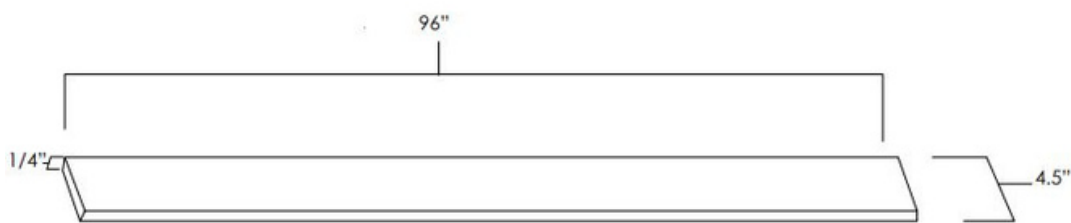
SKU	W	H	D
TF3	3	96	3/4
TF6	6	96	3/4
WF3	3	42	3/4
WF6	6	42	3/4

MOULDINGS



CRM-TF3*

SKU	W	H	D
CRM-TF3	3	96	24
TK	4 1/2	96	3/4



TK*

NOTES:

